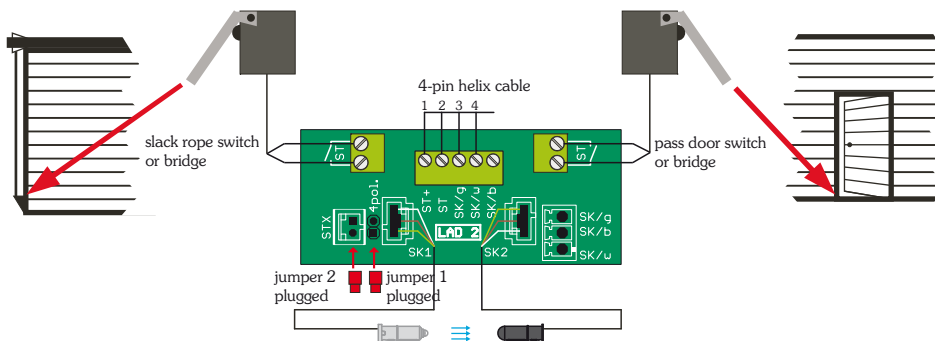
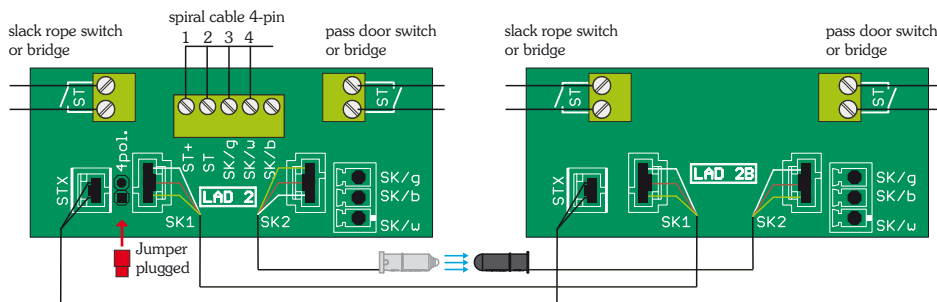


LAD4 modular cable junction box Modul 2 and Modul 3

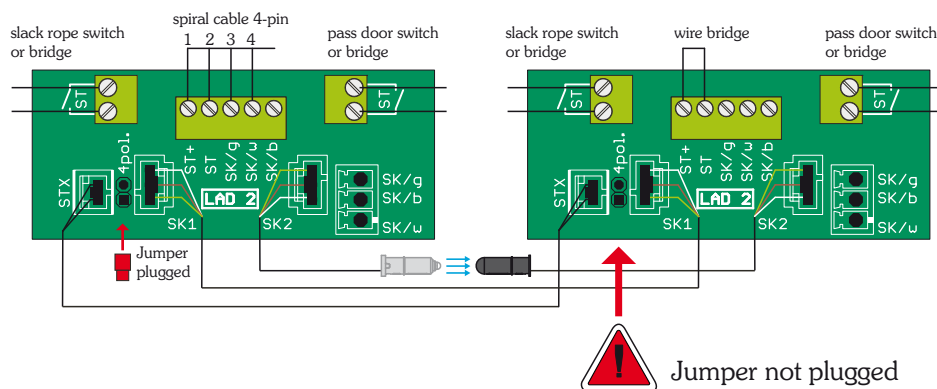
1. single box and 4-pin helix cable



2. two boxes and 4-pin helix cable

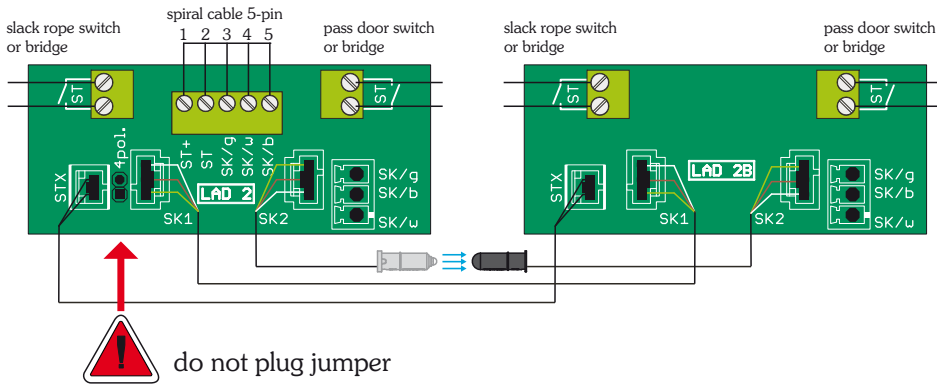


3. two boxes and 4-pin helix cable

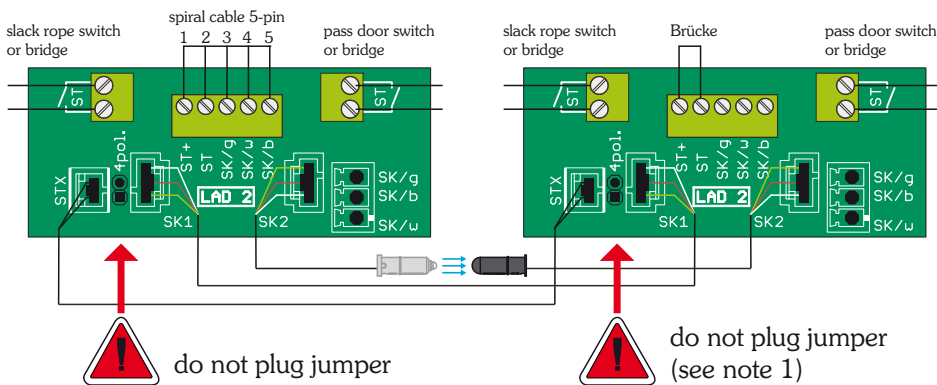


Note 1: When the jumper is used in the connection box, the slack rope switches/pass door switches are bridged in the main connection box.

4. two boxes and 5-pin helix cable

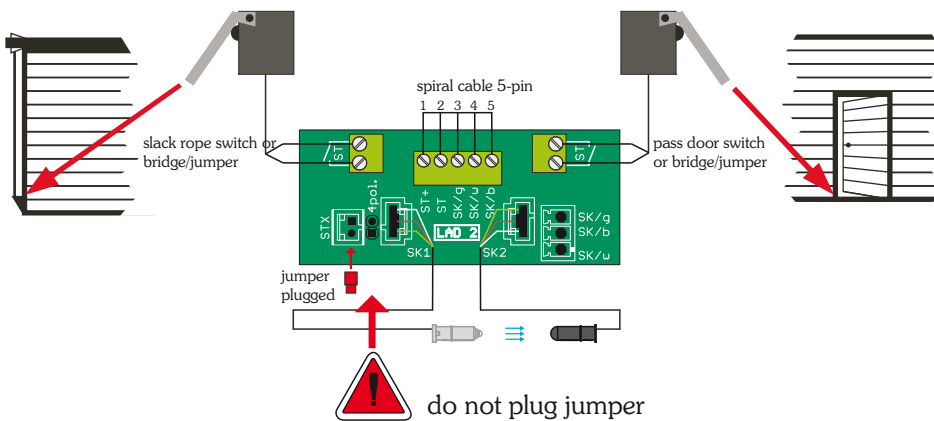


5. two boxes and 5-pin helix cable



Note 2: If a jumper is used in connection with a 5-pin helix cable, the control is at risk of a short circuit. Use only with a 4-pin helix cable.

6. single box and 5-pin helix cable



Note 2: If a jumper is used in connection with a 5-pin helix cable, the control is at risk of a short circuit. Use only with a 4-pin helix cable.

7. connection to control systems in the working environment

GfA

